

MULTILAYER
PLUMBING
SYSTEM



Revised on May 05, 2023

CATALOGUE INDEX

03 ABOUT RIIFO

05 INNOVATION

05 SCALE
05 Facility
05 Capacity

06 RIIFO APPROVALS
06 Group Honor
06 Certificates

07 PROJECT REFERENCE

13 MULTILAYER PLUMBING
SYSTEM
14 Multilayer Pipes
14 Advantages

15 COMPRESSION
FITTING-F1
15 Technical Data
15 Standards
15 Certificates
16 Composition
16 Advantages

17 PRESS FITTINGS-F5
17 Standards
17 Certificates
18 Technical Data

19 SPECIFICATIONS
19 Multilayer Pipes
20 Press Fittings-F5
27 Compression Fitting-F1
31 Valves And Accessories

37 INSTALLATION
38 F5 Installation Instructions
39 F1 Installation Instructions



ABOUT RIIFO

RIIFO is a leading multinational corporation, providing onestop piping solutions applied in residential, commercial, agricultural, industrial, and infrastructural sectors. Persistently reinventing since 1996, with over 8,000 employees, 70 branches & subsidiaries, and 300,000 distributors, we have served customers in more than 100 countries and regions.

With an integrated value chain, from R&D to manufacturing and retail distribution, we strive to fulfill our mission of offering ideal piping products and services for all environments.

8,000

Employees

300,000

Distributors worldwide

100+

Serving over 100 countries & regions

70

Branches & Subsidiaries



INNOVATION

Believing that innovation is the key to go beyond the ordinary, RIIFO has founded one world-class labs recognized and certified by CNAS. Over 600 innovation talents have spared no effort to challenge industrial boundaries, achieving 923 patents and 20 technology awards.

And this innovative passion has perfectly presented on high quality products and outstanding services, we strive to offer ideal piping solutions to everyone.



SCALE

We adopt highly automated production lines with the most rigorous and comprehensive production control, and management system to handle such a powerful production.

Facility

9
global production bases

5,200+
production staffs

200
hectares area totally

4,000+
automated production lines

Capacity

Production Capacity

- Pipe: **3.2 billion** m/yr
- Fitting: **1.3 billion** pcs/yr

Storage Capacity

- **1,735,000 m3** ≈ 61,950 TEU (20 GP Containers)

RIIFO APPROVALS

RIIFO adhere to the concept of quality priority, all RIIFO products are produced under rigorous quality control with excelsior manufacturing. Until now, RIIFO has gained over 50 certificates, such as NSF, DVGW, AENOR, WRAS Watermark, etc. These certificates worldwide underline our technical and quality know-how, and we can provide you with 25 years system warranty backed up by an international insurance company.

Group Honor



Certificates





PROJECT REFERENCE

PROJECT REFERENCE



Kazanchis, Ethiopia

Project: Kazadis Plaza Mix-use G+19 Building
 Type: Commercial
 Year: 2019
 Product: Multilayer Plumbing System



Atlas, Ethiopia

Project: Dodi Extension Tower
 Type: Residential
 Year: 2017
 Product: Multilayer Plumbing System+PVC

PROJECT REFERENCE

Durban, South Africa

Project: Ocean Sky
Type: Commercial
Year: 2020
Product: Multilayer Plumbing System



Durban, South Africa

Project: Park square
Type: Commercial
Year: 2018
Product: Multilayer Plumbing System

Durban, South Africa

Project: Discovery Building
Type: Commercial
Year: 2017
Product: Multilayer Plumbing System



Port Elizabeth, South Africa

Project: The Radisson Port Elizabeth
Type: Hotels
Year: 2019
Product: Multilayer Plumbing System



Durban, South Africa

Project: MSP residential
Type: Residential
Year: 2017
Product: Multilayer Plumbing System

PROJECT REFERENCE



Envigado, Colombia

Project: ZU 41 21
Type: Residential
Product: Gas piping system



Goteborg, Sweden

Project: Gothia Towers
Type: Hotels
Year: 2009
Product: Multilayer plumbing System
Underfloor heating System



Sydney, Australia

Project: Brodie Spark Drive Wollie Creek
Type: Residential
Year: 2014
Product: Gas piping system
Pex plumbing system



Tallinn, Estonia

Project: Suur-Patarei 6
Type: Residential
Year: 2019
Product: Multilayer Plumbing System



Montevideo, Uruguay

Project: Diamantis Plaza
Type: Residential
Year: 2012
Product: Gas piping system



MULTILAYER PLUMBING SYSTEM

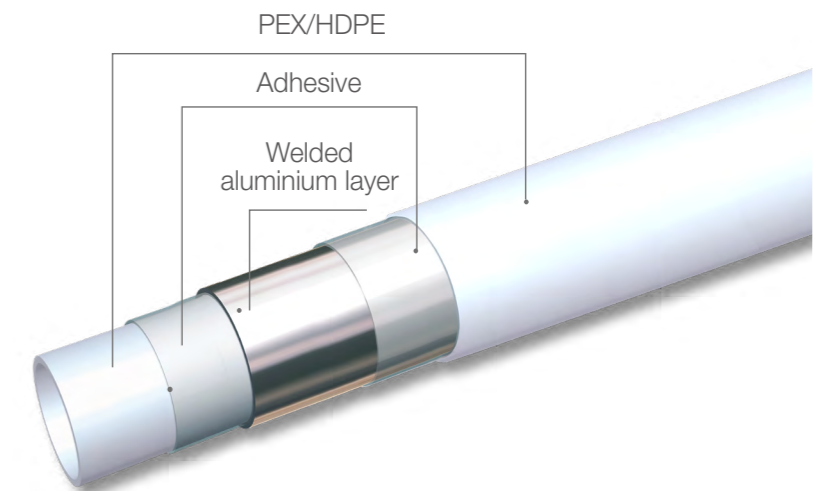
MULTILAYER PLUMBING SYSTEM

RIIFO Multilayer Plumbing System is approved and certified by NSF, AENOR and other internationally renowned certification agencies for its health and safety in hot and cold water supply.

RIIFO Multilayer Plumbing System is composed of PEX-AL-PEX (HDPE-AL-HDPE) multilayer pipe and brass fitting & valve, the system is health and reliability due to its clean and corrosion-proof components, offering perfect solution for water supply in residential, commercial, and industrial use.

Multilayer Pipes

The RIIFO multilayer pipe is a pipe generation that unites the advantages of a plastic and metal pipe, offering a high degree of flexibility and toughness, coupled with high pressure and temperature resistance.



Range of multilayer pipes	HDPE-AL-HDPE	PEX-AL-PEX
Usage scenario	Cold water	Cold water/Hot water
Maximum operating temperature	60 °C	95 °C
Operating pressure	1.0MPa	1.0MPa

Advantages

-  High flexibility and inherent stability
-  Less fittings needed
-  Entirely corrosion-resistant
-  Lifetime up to 50 years
-  Resistant to temperature and pressure (95°C/10bar)
-  Light in weight
-  Barrier to the permeation of oxygen and light
-  Smooth inner wall ensures low pressure loss



COMPRESSION FITTING-F1

Technical Data

Working Temperature: -20°C ~ 95°C
 Max Working Pressure: 10 bar

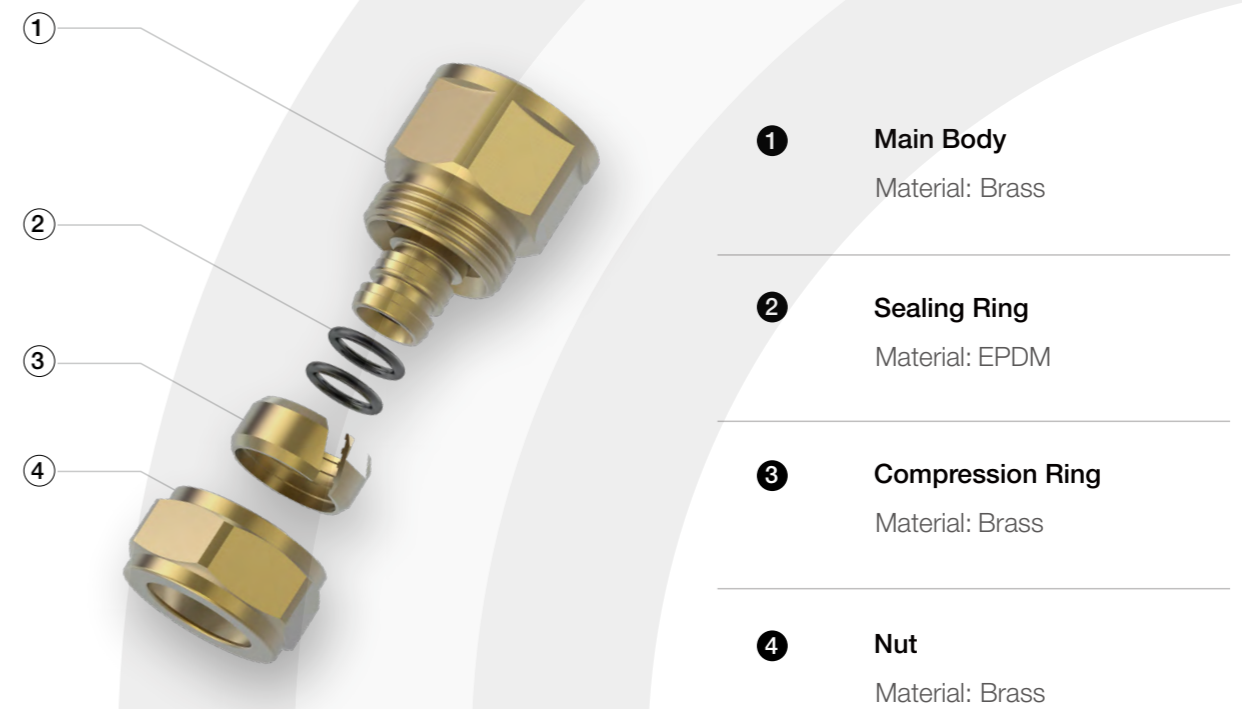
Standards

- DVGW W534
- DVGW W542
- XP P41-250
- ASTM F1281
- CSA B137.10
- (UNE NF SANS EN) ISO 21003

Certificates



Composition

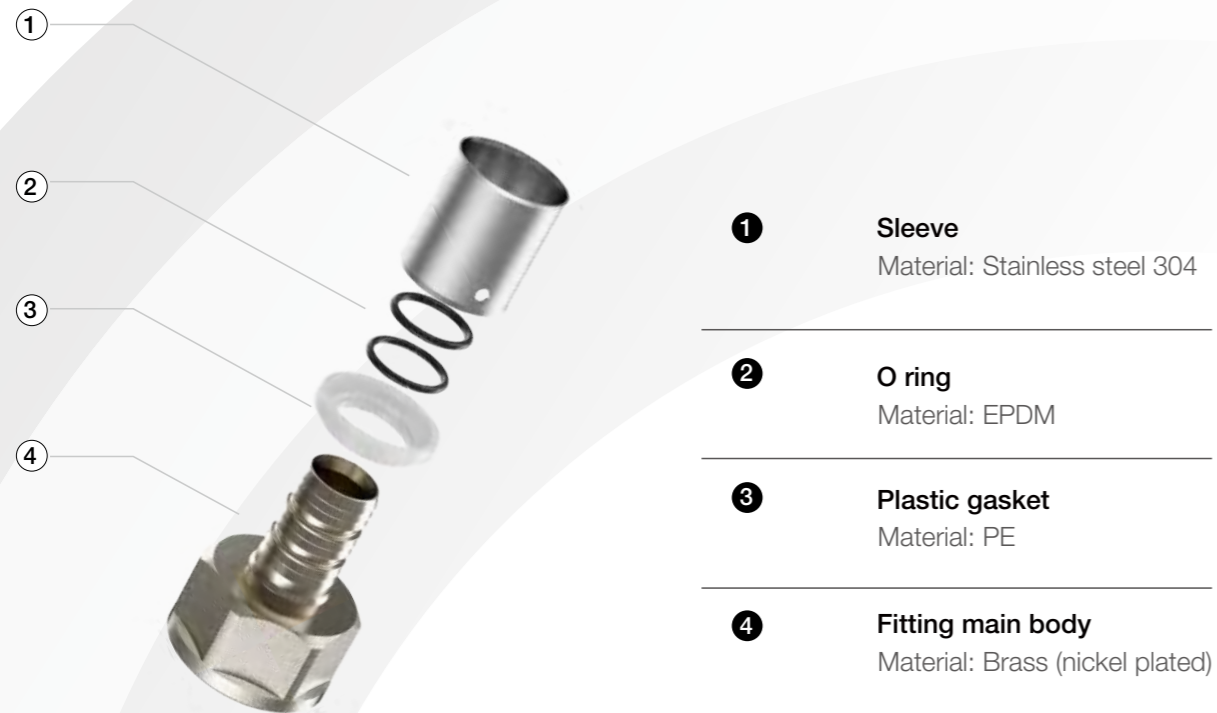


Advantages

- Removable and reusable
- Excellent sealing performance with double O-ring (EPDM)
- Quick and simple installation with spanner
- The stress and risk of cracking is eliminated by the annealing process.
- Corrosion-resistant
- The tensile strength is improved by 1.5 times with the runcinate shape of main body.

PRESS FITTINGS-F5

Composition



- 1 Sleeve**
Material: Stainless steel 304

- 2 O ring**
Material: EPDM

- 3 Plastic gasket**
Material: PE

- 4 Fitting main body**
Material: Brass (nickel plated)

Advantages

- U pressing profile
- Ease and security of installation
- Cost-effective
- Nickel plated contributes to good corrosion resistance

- Excellent sealing performance with double O-ring
- The stress and risk of cracking is eliminated by the annealing process
- Machined by special horizontal machining centers, with surface finish degree of no more than Ra3.2µm



Technical Data

F5

- Max Transient Working Temperature: 95°C
- Max Working Temperature: 70°C
- Working Pressure: 1.0MPa (10bar)

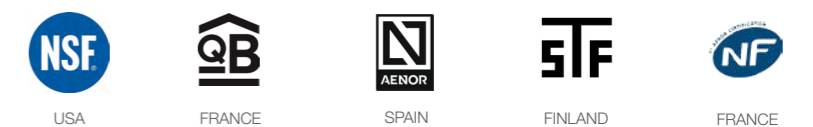
B1

TYPE	B1 (PEX-AL-PEX)
Material	Cross-linked Polyethylene
Roughness(mm)	0.0007
Density (g/cm³)	0.926-0.959
Modulus of elasticity(MPa)	7200
Thermal conductivity (w/mK)	0.45
Coefficient of thermal expansion (mm/mK)	0.025
Working Temperature	-40°C~ +95°C
Maximum working pressure	10 bar

Standards

- SANS 21003
- UNE ISO 21003
- ISO 21003
- ASTM F 1281

Certificates





SPECIFICATIONS

Multilayer Pipes

HDPE-AL-HDPE (A Series)



White color is HDPE-AL-HDPE for cold water use.

Specif.	Packing Specif.(m)	Color (out/in)
A-1216	100/200	White/Transparent
A-1620	100/200	White/Transparent
A-2025	50/100	White/Transparent
A-2632	50/100	White/Transparent
A-3240	4/5.8/6	White/Transparent
A-4150	4/5.8/6	White/Transparent
A-5163	4/5.8/6	White/Transparent
A-6075	4/5.8/6	White/Transparent

PEX-AL-PEX (B1 Series)

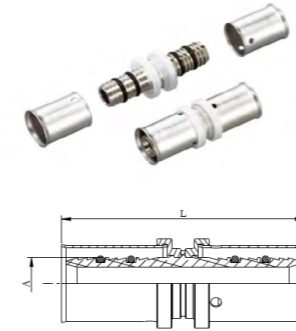


Orange color is PEX-AL-PEX for hot water use.

Specif.	Packing Specif.(m)	Color (out/in)
B1-1216	100/200	Orange
B1-1620	100/200	Orange
B1-2025	50/100	Orange
B1-2632	50/100	Orange
B1-3240	4/5.8/6	Orange
B1-4150	4/5.8/6	Orange
B1-5163	4/5.8/6	Orange
B1-6075	4/5.8/6	Orange

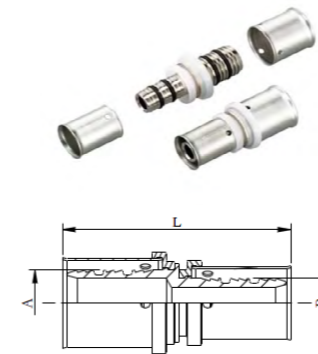
Press Fittings-F5

Straight coupling



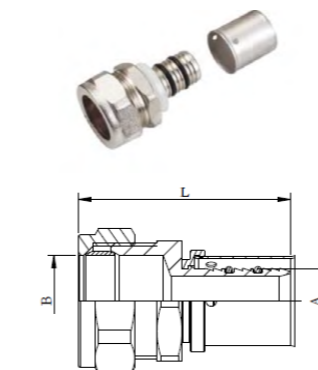
Specif.	pcs/box	pcs/ctn.	A	L
F5-S1216x1216	40	320	11.8	54.4
F5-S1620x1620	28	224	15.8	54.4
F5-S2025x2025	15	120	19.8	70.6
F5-S2632x2632		90	25.8	70.6
F5-S3240x3240		45	31.8	98
F5-S4150x4150		33	40.8	98
F5-S5163x5163		15	50.7	143
F5-S6075x6075		10	59.6	143.5

Reducing coupling



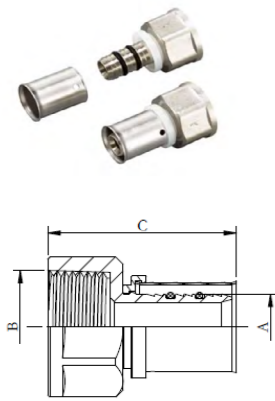
Specif.	pcs/box	pcs/ctn.	A	B	L
F5-S1620x1216	35	280	15.8	11.8	54.4
F5-S2025x1216	15	120	19.8	11.8	62.5
F5-S2025x1620	15	120	19.8	15.8	62.5
F5-S2632x1216	10	80	25.8	11.8	62.5
F5-S2632x1620	10	80	25.8	15.8	62.5
F5-S2632x2025	10	80	25.8	19.8	69.1
F5-S3240x1620		80	31.8	15.8	76.7
F5-S3240x2025		60	31.8	19.8	84.8
F5-S3240x2632		60	31.8	25.8	84.8
F5-S4150x2025		45	40.8	19.8	84.8
F5-S4150x2632		40	40.8	25.8	84.8
F5-S4150x3240		33	40.8	31.8	97.5
F5-S5163x3240		18	50.7	31.8	120.5
F5-S5163x4150		18	50.7	40.8	120.5
F5-S6075x5163		12	59.6	50.7	143.5

Copper spigot adapter



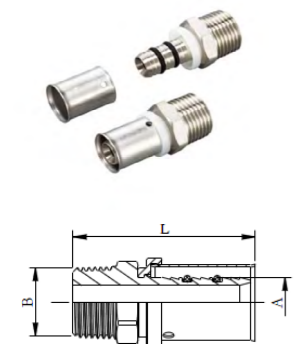
Specif.	pcs/box	pcs/ctn.	A	B	L
F5-S1216x15Cu2	36	288	11.8	15.1	62
F5-S1620x22Cu2	18	144	15.8	22.1	63.5
F5-S2025x22Cu2	15	120	19.8	22.1	65.5

Female straight coupling



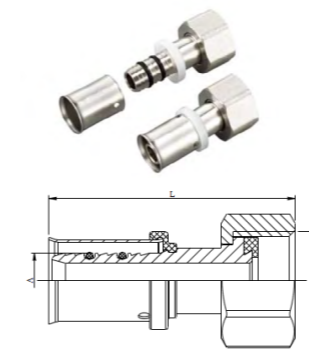
Specif.	pcs/box	pcs/ctn.	A	B	C
F5-S1216x1/2F	35	280	11.8	1/2"	43.2
F5-S1216x3/4F	20	160	11.8	3/4"	44.7
F5-S1620x1/2F	30	240	15.8	1/2"	43.2
F5-S1620x3/4F	20	160	15.8	3/4"	44.7
F5-S2025x1/2F	40	120	19.8	1/2"	50.7
F5-S2025x3/4F	15	120	19.8	3/4"	52.2
F5-S2025x1F	12	96	19.8	1"	53.6
F5-S2632x3/4F	12	96	25.8	3/4"	52.2
F5-S2632x1F	12	96	25.8	1"	53.6
F5-S3240x1F		72	31.8	1"	69
F5-S3240x1 1/4F		72	31.8	1 1/4"	73
F5-S3240x1 1/2F		60	31.8	1 1/2"	71.5
F5-S4150x1 1/2F		40	40.8	1 1/2"	72
F5-S4150x1F		48	40.8	1"	69
F5-S5163x1F		20	50.7	1"	90.5
F5-S5163x2F		20	50.7	2"	100.5
F5-S5163x2 1/2F		16	50.7	2 1/2"	102.5
F5-S6075x2 1/2F		12	59.6	2 1/2"	104.5

Male straight coupling



Specif.	pcs/box	pcs/ctn.	A	B	L
F5-S1216x3/8	50	400	11.8	3/8"	43.7
F5-S1216x3/4	25	200	11.8	3/4"	47.7
F5-S1216x1/2	45	360	11.8	1/2"	46.7
F5-S1620x1/2	35	280	15.8	1/2"	46.7
F5-S1620x3/4	25	200	15.8	3/4"	47.7
F5-S1620x1	20	160	15.8	1"	48.7
F5-S2025x1/2	15	120	19.8	1/2"	54.2
F5-S2025x3/4		120	19.8	3/4"	55.6
F5-S2025x1	15	120	19.8	1"	56.6
F5-S2632x3/4		96	25.8	3/4"	55.6
F5-S2632x1	12	96	25.8	1"	56.6
F5-S2632x1 1/4		90	25.8	1 1/4"	60.1
F5-S2632x1 1/2	10	80	25.8	1 1/2"	61.6
F5-S3240x1		72	31.8	1"	79
F5-S3240x1 1/4		60	31.8	1 1/4"	82
F5-S3240x1 1/2		54	31.8	1 1/2"	82.5
F5-S4150x1		48	40.8	1"	74
F5-S4150x1 1/2		35	40.8	1 1/2"	82
F5-S4150x2		35	40.8	2"	87
F5-S5163x1 1/2		20	50.7	1 1/2"	106
F5-S5163x2		18	50.7	2"	110
F5-S6075x2 1/2		14	59.6	2 1/2"	113.5

Demountable female straight coupling



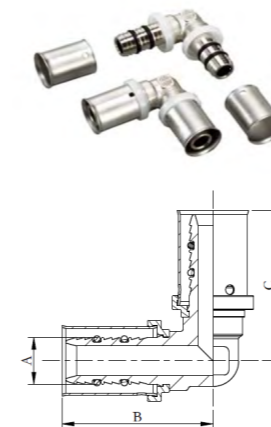
Specif.	pcs/box	pcs/ctn.	A	B	L
F5-S1216x1/2F (H)	40	320	11.8	1/2"	50.7
F5-S1216x3/4F (H)	25	200	11.8	3/4"	55.2
F5-S1620x1/2F (H)	30	240	15.8	1/2"	55.2
F5-S1620x3/4F (H)	20	160	15.8	3/4"	55.7
F5-S2025x1F (H)	12	96	19.8	1"	62.6
F5-S2025x3/4F (H)	15	120	19.8	3/4"	60.1
F5-S2632x1F (H)		90	25.8	1"	65.1

End cap



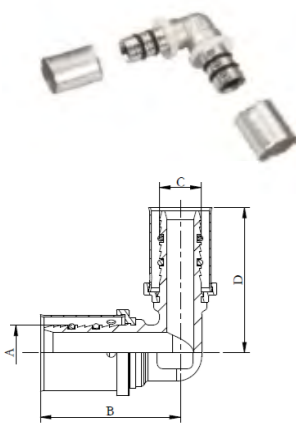
Specif.	pcs/box	pcs/ctn.	A	B
F5-D1216	75	600	11.8	28.7
F5-D1620	60	480	15.8	28.7
F5-D2025	24	192	19.8	36.2
F5-D2632	16	128	25.8	36.2

Elbow



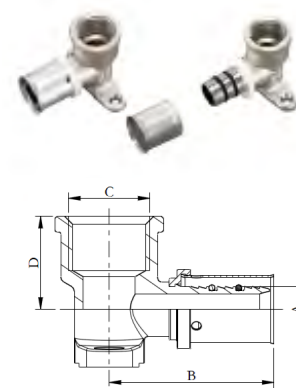
Specif.	pcs/box	pcs/ctn.	A	B	C
F5-L1216x1216	24	192	11.8	37.7	37.7
F5-L1620x1620	18	144	15.8	41.2	41.2
F5-L2025x2025	10	80	19.8	50.6	50.6
F5-L2632x2632		45	25.8	53.6	53.6
F5-L3240x3240		36	31.8	71	71
F5-L4150x4150		24	40.8	76	76
F5-L5163x5163		10	50.7	105.5	105.5
F5-L6075x6075		6	59.6	110	110

Reducing elbow



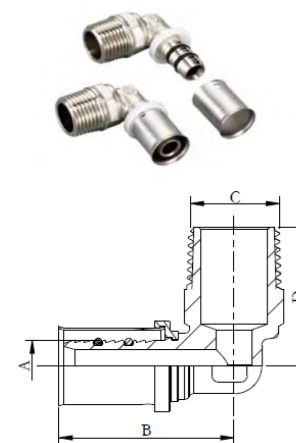
Specif.	pcs/box	pcs/ctn.	A	B	C	D
F5-L1620x1216	18	144	15.8	39.2	11.8	41.2
F5-L2025x1216	12	96	19.8	47.1	11.8	43.2
F5-L2025x1620	10	80	19.8	49.1	15.8	43.2
F5-L2632x2025	10	80	25.8	51.1	19.8	53.2
F5-L4150x3240	24	216	40.8	70.5	31.8	75.5
F5-L5163x4150	12	108	50.7	98	40.8	82.5

Wall-plated female elbow



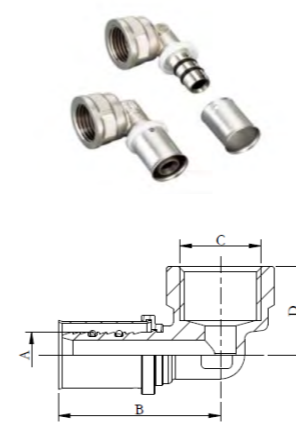
Specif.	pcs/box	pcs/ctn.	A	B	C	D
F5-L1216x1/2F (Z)	14	112	11.8	42.2	1/2"	24
F5-L1620x1/2F (Z)	12	96	15.8	42.2	1/2"	26

Male elbow



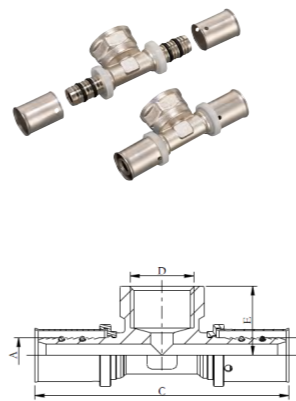
Specif.	pcs/box	pcs/ctn.	A	B	C	D
F5-L1216x1/2	24	192	11.8	39.2	1/2"	31.5
F5-L1216x3/4	15	120	11.8	39.2	3/4"	31.5
F5-L1620x1/2	24	192	15.8	39.2	1/2"	33.5
F5-L1620x3/4	15	120	15.8	41.7	3/4"	35.5
F5-L2025x3/4	10	80	19.8	49.6	3/4"	37
F5-L2025x1	96	720	19.8	53.6	1"	39
F5-L2632x1	60	480	25.8	53.6	1"	43
F5-L3240x1	40	320	31.8	71	1"	42
F5-L4150x1 1/2	24	216	40.8	78	1 1/2"	50

Female elbow



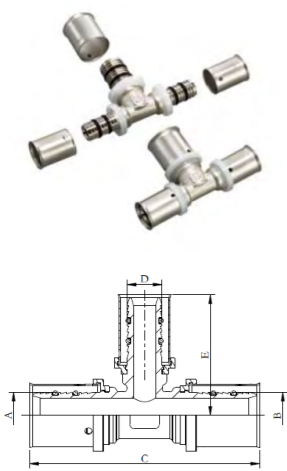
Specif.	pcs/box	pcs/ctn.	A	B	C	D
F5-L1216x1/2F	25	200	11.8	41.7	1/2"	23
F5-L1216x3/4F	15	120	11.8	44.7	3/4"	24
F5-L1620x1/2F	20	160	15.8	41.7	1/2"	25
F5-L1620x3/4F	15	120	15.8	44.7	3/4"	26
F5-L2025x1/2F	12	96	19.8	49.6	1/2"	26
F5-L2025x3/4F	10	80	19.8	52.6	3/4"	27
F5-L2025x1F	72	576	19.8	56.6	1"	28
F5-L2632x3/4F	72	576	25.8	52.6	3/4"	29.5
F5-L2632x1F	60	480	25.8	56.6	1"	30.5
F5-L3240x1F	48	384	31.8	69.5	1"	33
F5-L3240x1 1/4F	50	400	31.8	75	1 1/4"	38
F5-L3240x1 1/2F	25	200	31.8	78	1 1/2"	38
F5-L4150x1 1/2F	30	240	40.8	78	1 1/2"	42
F5-L4150x1F	25	200	40.8	69.5	1"	37

Female tee



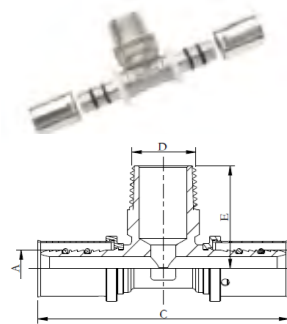
Specif.	pcs/box	pcs/ctn.	A	B	C	D	E
F5-T1216x1/2Fx1216	15	120	11.8	11.8	83.4	1/2"	23
F5-T1620x1/2Fx1620	10	80	15.8	15.8	83.4	1/2"	25
F5-T1620x3/4Fx1620	96	720	15.8	15.8	89.4	3/4"	26
F5-T2025x1/2Fx2025	72	576	19.8	19.8	99.2	1/2"	26
F5-T2025x3/4Fx2025	64	512	19.8	19.8	105.2	3/4"	27
F5-T2632x1/2Fx2632	48	384	25.8	25.8	99.2	1/2"	30
F5-T2632x1Fx2632	36	288	25.8	25.8	113.2	1"	31
F5-T3240x1Fx3240	30	240	31.8	31.8	137	1"	40
F5-T3240x3/4Fx3240	25	200	31.8	31.8	132	3/4"	31
F5-T4150x1 1/2Fx4150	25	200	40.8	40.8	156	1 1/2"	42
F5-T4150x1 1/4Fx4150	22	176	40.8	40.8	150	1 1/4"	42
F5-T4150x1Fx4150	22	176	40.8	40.8	138	1"	40
F5-T5163x1Fx5163	12	96	50.7	50.7	185	1"	45
F5-T5163x2 1/2Fx5163	10	80	50.7	50.7	240	2 1/2"	64.5
F5-T5163x2Fx5163	4	32	50.7	50.7	204	2"	51
F5-T6075x1 1/2Fx6075	8	64	59.6	59.6	201	1 1/2"	52
F5-T6075x2 1/2Fx6075	4	32	59.6	59.6	240	2 1/2"	61.5
F5-T6075x2Fx6075	4	32	59.6	59.6	214	2"	56

Reducing tee



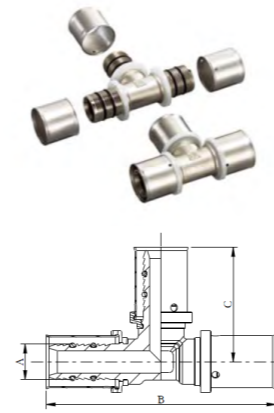
Specif.	pcs/box	pcs/ctn.	A	B	C	D	E
F5-T1216x1620x1216	15	120	11.8	11.8	79.4	15.8	39.7
F5-T1620x1216x1216	15	120	15.8	11.8	77.4	11.8	40.7
F5-T1620x1620x1216	15	120	15.8	11.8	81.4	15.8	40.7
F5-T1620x2025x1620	96	96	15.8	15.8	85.3	19.8	47.1
F5-T2025x1216x1216	96	96	19.8	11.8	82.6	11.8	42.2
F5-T2025x1216x1620	96	96	19.8	15.8	82.8	11.8	42.2
F5-T2025x1216x2025	70	70	19.8	19.8	90.2	11.8	42.2
F5-T2025x1620x1216	70	70	19.8	11.8	86.8	15.8	42.2
F5-T2025x1620x1620	70	70	19.8	15.8	86.8	15.8	42.2
F5-T2025x1620x2025	70	70	19.8	19.8	94.2	15.8	42.2
F5-T2025x2025x1216	70	70	19.8	11.8	94.8	19.8	50.2
F5-T2025x2025x1620	70	70	19.8	15.8	93.3	19.8	50.6
F5-T2025x2632x2025	40	40	19.8	19.8	107.2	25.8	48.6
F5-T2632x1216x2632	48	48	25.8	25.8	90.2	11.8	45.2
F5-T2632x1620x2632	48	48	25.8	25.8	94.2	15.8	45.2
F5-T2632x2025x2025	40	40	25.8	19.8	100.2	19.8	51.6
F5-T2632x2025x2632	36	36	25.8	25.8	100.2	19.8	51.6
F5-T3240x1620x3240	36	36	31.8	31.8	120	15.8	49.2
F5-T3240x2025x3240	20	20	31.8	31.8	126	19.8	56.6
F5-T3240x2632x2632	36	36	31.8	25.8	120.1	25.8	56.6
F5-T4150x2025x4150	15	15	40.8	40.8	126	19.8	61.6
F5-T4150x2632x4150	18	18	40.8	40.8	134	25.8	61.5
F5-T4150x3240x4150	10	10	40.8	40.8	142	31.8	76
F5-T5163x2025x5163	8	8	50.7	50.7	171	19.8	68.6
F5-T5163x2632x5163	7	7	50.7	50.7	179	25.8	68.6
F5-T5163x3240x5163	8	8	50.7	50.7	186	31.8	82.5
F5-T5163x4150x5163	6	6	50.7	50.7	196	40.8	82.5
F5-T6075x3240x6075	4	4	59.6	59.6	190	31.8	87
F5-T6075x4150x6075	4	4	59.6	59.6	199	40.8	88
F5-T6075x5163x6075	4	4	59.6	59.6	210	50.7	111.5

Male tee



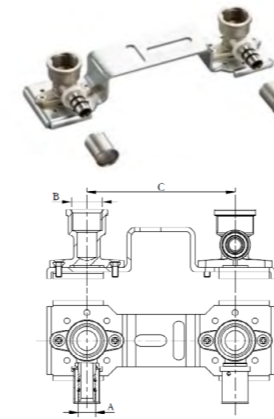
Specif.	pcs/box	pcs/ctn.	A	B	C	D	E
F5-T1216x1/2x1216	15	120	11.8	11.8	78.4	1/2"	32.5
F5-T1620x1/2x1620	15	120	15.8	15.8	78.4	1/2"	34.5

Tee



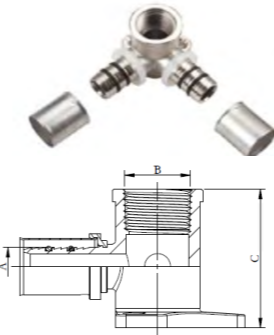
Specif.	pcs/box	pcs/ctn.	A	B	C
F5-T1216x1216x1216	15	120	11.8	75.4	37.7
F5-T1620x1620x1620	15	120	15.8	81.4	40.7
F5-T2025x2025x2025	64	64	19.8	98.2	49.1
F5-T2632x2632x2632	30	30	25.8	104.2	52.1
F5-T3240x3240x3240	24	24	31.8	142	71
F5-T4150x4150x4150	18	18	40.8	151	75.5
F5-T5163x5163x5163	4	4	50.7	211	105.5
F5-T6075x6075x6075	3	3	59.6	221	110.5

Assembly double fittings



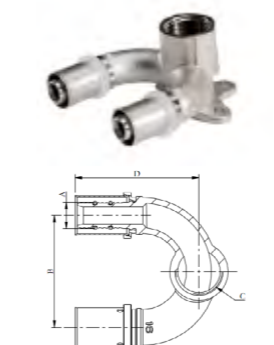
Specif.	pcs/box	pcs/ctn.	A	B	C
F5-L1216x1/2F (Z)(GZ-150)	20	20	11.8	1/2"	150
F5-L1620x1/2F (Z)(GZ-150)	16	16	15.8	1/2"	150

Double wall-plated female elbow



Specif.	pcs/box	pcs/ctn.	A	B	C
F5-K1216x1/2F (Z)	90	90	11.8	1/2"	43
F5-K1620x1/2F (Z)	90	90	15.8	1/2"	43

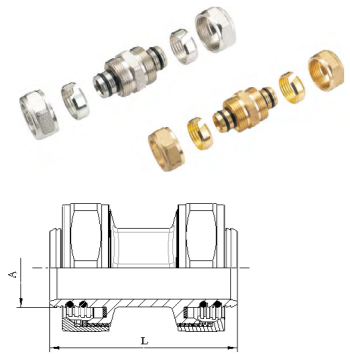
U-profile tap elbow



Specif.	pcs/box	pcs/ctn.	A	B	C	D
F5-L1216x1/2Fx1216	8	32	11.8	50	1/2"	54.7
F5-L1620x1/2Fx1620	8	32	15.8	50	1/2"	54.7

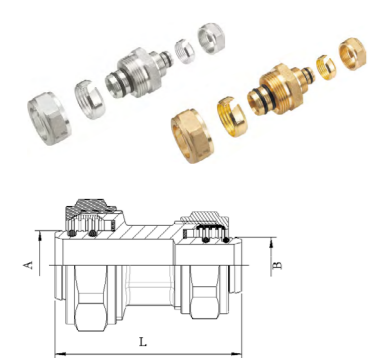
Compression Fitting-F1

Straight coupling



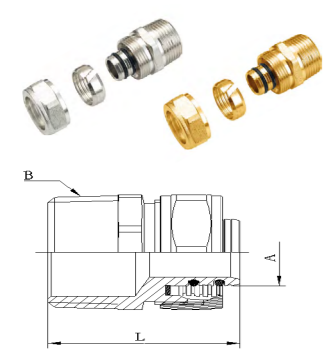
Code	Specif.	pcs/box	A (MM)	L (MM)
041516	S 1216 X 1216	24	φ11.8	52.40
041517	S 1620 X 1620	20	φ15.8	52.40
041518	S 2025 X 2025	14	φ19.8	54.00
041519	S 2632 X 2632	6	φ25.8	59.50

Reducing coupling



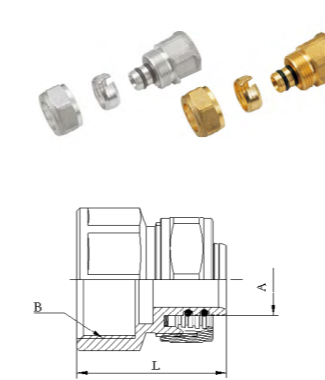
Code	Specif.	pcs/box	A (MM)	B (MM)	L (MM)
041520	S 1620 X 1216	24	15.8	11.8	52.00
041521	S 2025 X 1216	15	19.8	11.8	49.50
041522	S 2025 X 1620	15	18.8	15.8	53.00

Male straight coupling



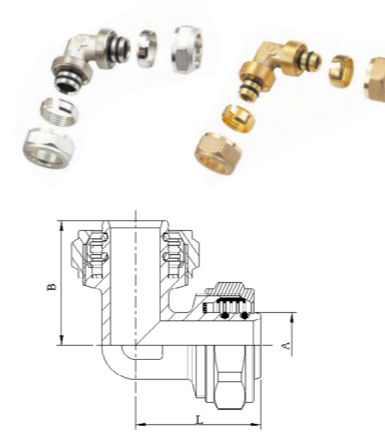
Code	Specif.	pcs/box	A (MM)	B (MM)	L (MM)
041535	S 1216 X 1/2"	36	11.8	NPT 1/2	41
041536	S 1620 X 1/2"	24	15.8	NPT 1/2	41
041538	S 2025 X 3/4"	16	19.8	NPT 3/4	43
041539	S 2025 X 1"	16	19.8	NPT 1	44

Female straight coupling



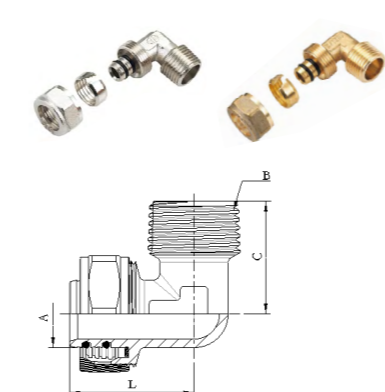
Code	Specif.	pcs/box	A (MM)	B (MM)	L (MM)
041540	S 1216 X 1/2"F	30	φ11.8	NPT 1/2	37
041541	S 1620 X 1/2"F	30	φ15.8	NPT 1/2	35.5

Elbow



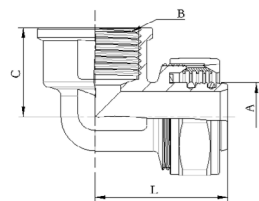
Code	Specif.	pcs/box	A (MM)	B (MM)	L (MM)
041527	L 1216 X 1216	15	φ11.8	31.5	31.5
041528	L 1620 X 1620	15	φ15.8	34	34
041529	L 2025 X 2025	10	φ19.8	37	37
041530	L 2632 X 2632	4	φ25.8	41	41

Male elbow



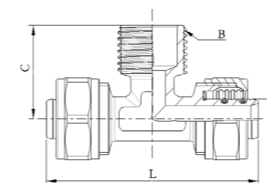
Code	Specif.	pcs/box	A (MM)	B (MM)	C (MM)	L (MM)
041546	L 1216 X 1/2"	20	11.8	NPT 1/2	27.5	32
041547	L 1620 X 1/2"	16	15.8	NPT 1/2	29	32.5
041549	L 2025 X 3/4"	12	19.8	NPT 3/4	33	36

Female elbow



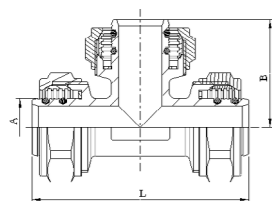
Code	Specif.	pcs/box	A (MM)	B (MM)	C(MM)	L (MM)
041550	L 1216 X 1/2"F	20	11.8	NPT 1/2	22.00	33.50
041551	L 1620 X 1/2"F	15	15.8	NPT 1/2	23.00	36.00
041554	L 2025 X 3/4"F	12	19.8	NPT 3/4	26.00	38.50
041555	L 2632 X 1"F	5	25.8	NPT 1	32.00	42.50

Male tee



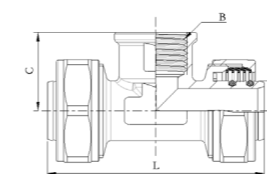
Code	Specif.	pcs/box	A (MM)	B (MM)	C(MM)	L (MM)
036890	T 1216 X 1/2 X 1216	15	11.8	NPT 1/2	27.5	64
036891	T 1620 X 1/2 X 1620	10	15.8	NPT 1/2	29.5	68
036892	T 2025 X 1/2 X 2025	4	19.8	NPT1/2	33	68

Tee



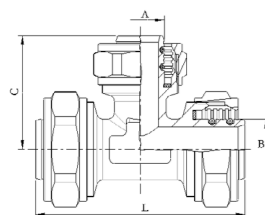
Code	Specif.	pcs/box	A (MM)	B (MM)	L (MM)
041531	T 1216 X 1216 X 1216	12	11.8	31.5	63
041532	T 1620 X 1620 X 1620	4	15.8	34	68
041533	T 2025 X 2025 X 2025	4	19.8	37	74
041534	T 2632 X 2630 X 2632	4	25.8	41	82

Female tee



Code	Specif.	pcs/box	A (MM)	B (MM)	C(MM)	L (MM)
041556	T 1216 X 1/2"F X 1216	15	11.8	22	NPT 1/2	71
041557	T 1620 X 1/2"F X 1620	4	15.8	23	NPT 1/2	72

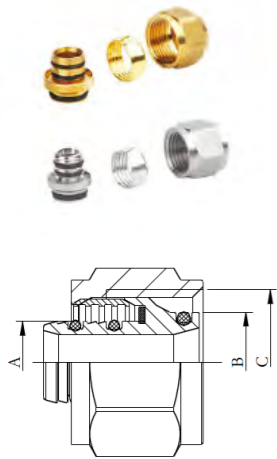
Reducing tee



Code	Specif.	pcs/box	A (MM)	B (MM)	C(MM)	L (MM)
036818	T 1620 X 1216 X 1620	10	11.8	15.8	37.00	64.50
036824	T 2025 X 1620 X 2025	7	15.8	19.8	37.00	68.50

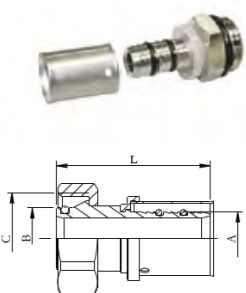
Valves And Accessories

F1 Connector core



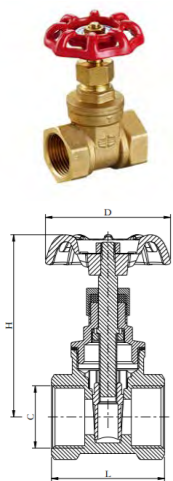
Specif.	pcs/box	pcs/ctn.	A	B	C
F1-C0912x3/4 A	42	336	8.4	18	3/4"
F1-C1216x1/2 A	72	576	11.8	14.5	1/2"
F1-C1216x3/4 A	48	384	11.8	18	3/4"
F1-C1620x3/4 A	48	384	15.8	18	3/4"

F5 Connector core



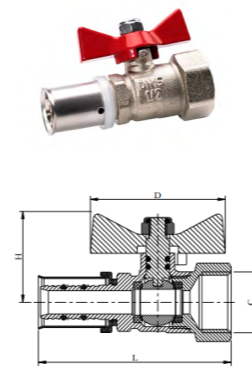
Specif.	pcs/box	pcs/ctn.	A	B	C	D
F5-C1216x1/2	42	336	11.8	14.5	1/2"	45.7
F5-C1216x3/4	28	224	11.8	18	3/4"	44.9
F5-C1620x3/4	24	192	15.8	18	3/4"	44.9

101 Brass gate valve



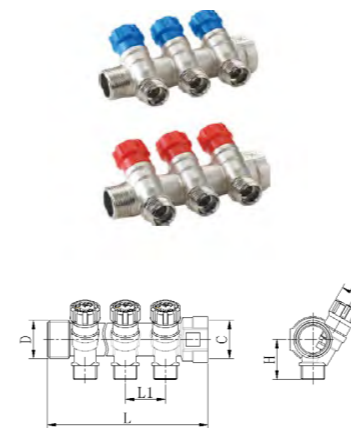
Specif.	pcs/box	pcs/ctn.	L	H	D	C
DN15	16	96	43.8	70.5	45	0.5
DN20	12	72	47.5	77	53	0.75
DN25	9	54	50	91	70	1
DN32	4	24	59	91	70	11/4
DN40	3	18	61	107	70	11/2
DN50		18	67	117	80	2
DN65		8	86	148	105	3
DN80		6	95	166	105	4

202 Red butterfly handle ball valve



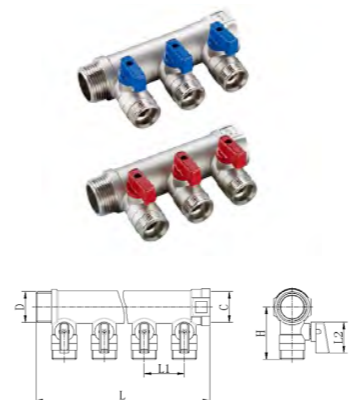
Specif.	pcs/box	pcs/ctn.	L	H	D	C
QF5-1216x1216	35	210	84.4	31.3	46	
QF5-1216x1/2M	24	144	73.2	31.3	46	1/2
QF5-1216x1/2F	24	144	65.7	31.3	46	1/2
QF5-1620x1620	20	120	89.4	37.2	51.5	
QF5-1620x1/2M	24	144	76.7	37.2	51.5	1/2
QF5-1620x1/2F	24	144	70.7	37.2	51.5	1/2
QF5-1620x3/4F	20	120	76.2	37.2	51.5	3/4
QF5-2025x2025	14	84	110.2	41.3	58	
QF5-2025x3/4F	15	90	84.6	41.3	58	3/4
QF5-2632x2632	10	60	114.2	43.7	58	

Brass manifolds with stop valves-FS4



Specif.	pcs/box	pcs/ctn.	L1	L2	L	H	D	C
FS4-1-1/2x2	10	60	35	26	99.5	35	R1 Male	G1 Female
FS4-1-1/2x3	6	36	35	26	134.5	35	R1 Male	G1 Female
FS4-1-1/2x4	5	30	35	26	169.5	35	R1 Male	G1 Female
FS4-3/4-1/2x2 II	10	60	35	26	89	35	R3/4 Male	G3/4 Female
FS4-3/4-1/2x3 II	8	48	35	26	124	35	R3/4 Male	G3/4 Female
FS4-3/4-1/2x4 II	5	30	35	26	159	35	R3/4 Male	G3/4 Female

Brass manifolds with ball valves-FS5

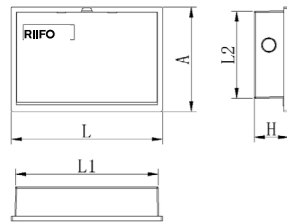


Specif.	pcs/box	pcs/ctn.	L1	L2	L	H	D	C
FS4-1-1/2x2	7	42	43	33	101	56.5	R1 Male	G1 Female
FS4-1-1/2x3	4	24	43	33	144	56.5	R1 Male	G1 Female
FS4-1-1/2x4	3	18	43	33	187	56.5	R1 Male	G1 Female
FS4-3/4-1/2x2 II	10	60	36	33	87	49	R3/4 Male	G3/4 Female
FS4-3/4-1/2x3 II	8	48	36	33	123	49	R3/4 Male	G3/4 Female
FS4-3/4-1/2x4 II	5	30	36	33	159	49	R3/4 Male	G3/4 Female

Plastic manifold cabinet



Specif.	pcs/box	pcs/ctn.	L1	L2	L	H	A
FS4	1	8	335	206	355	80	248



Pipe cutter



Specif.	pcs/box	pcs/ctn.
GJ IV		40

Plastic reamer



Specif.	pcs/box	pcs/ctn.
ZYD2-1216-1620-2025	10	180
ZYD2-1620-2025-2632	10	100

External bending spring



Specif.	pcs/box	pcs/ctn.
WH-1216	6	36
WH-1620	4	24
WH-2025	2	12
WH-2632	1	6

Internal bending spring



Specif.	pcs/box	pcs/ctn.
WH-1216	/	150
WH-1418	20	120
WH-1520	15	90
WH-1620	15	90
WH-1825	9	54
WH-2025	9	54
WH-2632	4	24

Manual pressing clamp and jaw



Specif.	pcs/box	pcs/ctn.
SYQ14-20A		7
SYQ14-32B		5
SYQ14-20A 1216	28	224
SYQ14-20A 1418	28	224
SYQ14-20A 1620	28	224
SYQ14-32A 1216TH		100
SYQ14-32A 1620TH		100

Integral manual pressing clamp



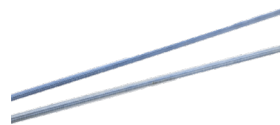
Specif.	pcs/box	pcs/ctn.
SYQ4-1216		5
SYQ4-1620		5

Teflon



Specif.	pcs/box	pcs/ctn.
Teflon	60	480

Threaded Rod



Specif.	pcs/box	pcs/ctn.
Lenght:2M Thread size:8mm		50

Metal Fisher



Specif.	pcs/ctn.
M8x30	2400

Clamp With Rubber



Specif.	pcs/box	pcs/ctn.
KH-25		100
KH-32		100

Plastic socket



Specif.	pcs/box	pcs/ctn.
KS-1014	200	5600
KS-1216	130	6500
KS-1418	120	5400
KS-1620	80	4000
KS-2025	40	1200
KS-2632	20	600

RiIFO guard device



Specif.	pcs/box	pcs/ctn.
Rifeng guard device	1	1



INSTALLATION

F5 Installation Instructions



Pipe cutting

Cut the pipe vertically and precisely with RIIFO pipe cutter.



Pipe beveling and calibration

Use RIIFO reamer to bevel and calibrate the pipe. Insert the reamer completely inside the pipe. Rotate the reamer in one direction for several times to form a round pipe end.



Pipe inserting into fitting

Insert the pipe into the sleeve, until it reaches the plastic gasket. Check it through the inspection holes on the sleeve. It is important to ensure the pipe is completely inserted into the fitting.



Pressing

Put the fitting under the right position of the jaw. Press the fitting until the jaw is fully closed. The press jaw must be placed close to the plastic gasket.



Checking

Checking the jaw when the pressing procedure is done.

F1 Installation Instructions



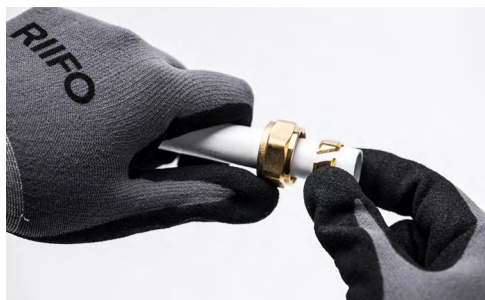
STEP 1: Pipe cutting

Cut the pipe vertically and precisely with a pipe cutter.



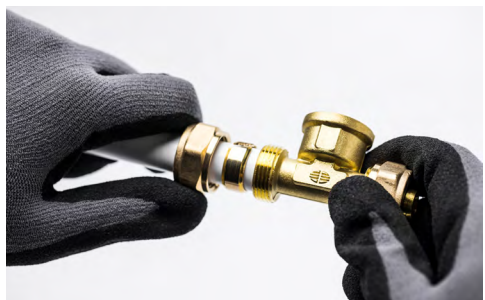
STEP 2: Rounding and beveling

Round and bevel the ends with the RIIFO reamer



STEP 3: Inserting

Place the nut and then the compression ring onto the pipe. Please note the threaded opening must face the pipe end.



Fully insert the fitting core into the pipe. Please don't damage the O-ring on the fitting core during insertion.



STEP 4: Compression

Tighten the nut with your finger first. Then tighten the nut with a spanner.

WARRANTY

RIIFO offers a maximum 25-year warranty to its products. For details, see the warranty from our company.

